



T24-RM1



Wireless Relay Output Receiver Module



Introduction

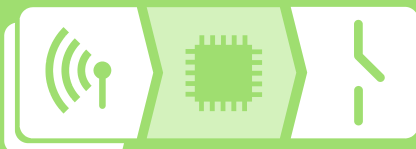
The T24-RM1 Receiver acts on data from any of the T24 wireless transmitter modules and can be used for alarm and control purposes forming part of the T24 modular telemetry system.

The data sent by transmitter modules can be utilised by multiple receivers such as displays, handheld readers, analogue outputs, relay modules and computer interfaces. Receivers support common industrial power supplies and are available in robust IP rated enclosures with internal antennas optimised to give outstanding coverage.

The T24-RM1 offers two single pole changeover relays with mains rated 5 amp contacts for power switching. Functionality includes set-points, inversion, latching and hysteresis. The T24 Toolkit offers a fast and simple way to configure the relays operation and set-point values which are entered in the engineering units of the associated transmitter modules.

Product Features

- Provides limit switching
- Two relays mains rated
- Accepts up to 16 devices
- Provides a range of relay operation modes
- Loss of signal alarm relay
- Latch and inversion options for all relays



T24 System Overview



T24 Wireless Telemetry Sensor System is a modular wireless solution for industrial sensor applications.

High accuracy, high quality measurement is interfaced with simple yet powerful configuration and monitoring software.

Specifications

Power Relay Outputs

Number of power relays	2
Type of relay	SPCO
Contact rating	10 A @ 240 Vac 10 A @ 30 Vdc

Alarm Relay Output

Number of alarm relays	1
Type of relay	SPCO
Contact rating	1 A @ 120 Vac 1 A @ 24 Vdc

Digital inputs

Number of digital inputs	3
Type of input	volt free contact

Power Supply

Power supply voltage	9 to 32 Vdc
Supply current at 12V (typical)	150 mA

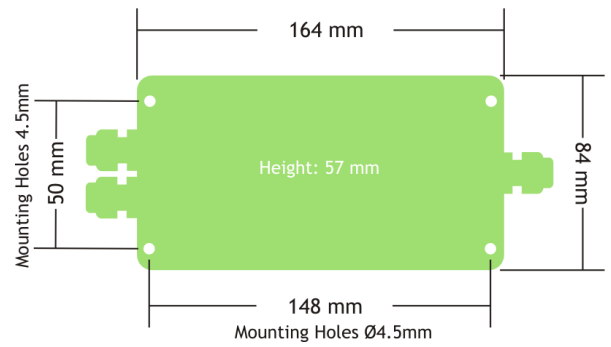
Radio

Radio type	Licence exempt transceiver
Radio frequency	2.4 GHz
Transmit power	10 mW
Range	Up to 800 m

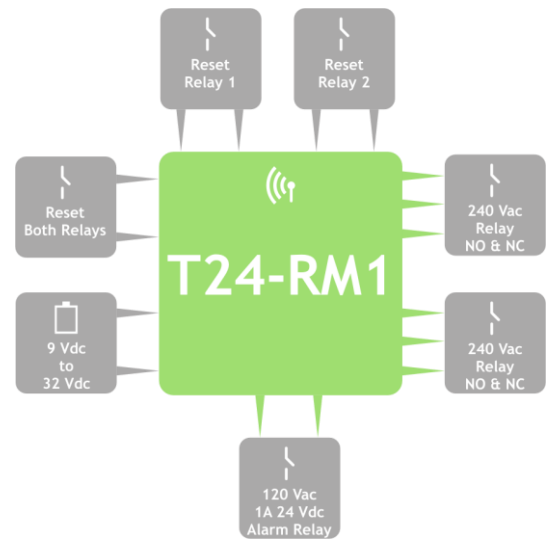
Environmental

Operating temperature range	-20 to 55 °C
Storage temperature range	-40 to 85 °C
Maximum humidity	95% non-condensing
IP rating	IP67/Nema4

Mechanical



Electrical



Order Codes

T24-RM1

Wireless relay output receiver module in IP67 enclosure

Mantracourt Electronics Ltd
The Drive, Farringdon
Exeter, Devon, UK
EX5 2JB

Tel: +44 (0)1395 232020
Email: sales@mantracourt.com
mantracourt.com

